



COMPRESSED AIR ADSORPTION DRYER

Treatment for clean
and dry compressed air

COMPRESSED AIR ADSORPTION DRYER C-HDDN SERIES

The Problem

Compressed air is a commonly used power source. Over the years it became a crucial part of a wide range in industrial processes. However, compressed air after compression is not clean and contains impurities like water, oil, dirt, wear particles and so on. This mixture creates a form of condensate which damages downstream equipment like air tools, pneumatic cylinders and other pneumatic equipments. It also causes high product rejects, high maintenance and costly air leaks in compressed air systems. The use of highly efficient compressed air filters and condensate drains will remove a lot of these impurities and can eliminate most of the problems downstream.

For many applications this is not enough. These applications need an even higher level of compressed air quality. AFE's C-HDDN desiccant dryers will provide this level of air quality at the point where the quality is needed without investing a large amount in centralized purification systems which are often not needed because only certain areas of the production process need that high quality air.

The Solution

The C-HDDN series of compact desiccant air dryers offers users the air quality at the point where it is needed. Utilizing a reliable technology, the C-HDDN dryers provide the security to run the process without interruption and to have safe and reliable operations of downstream machines and air tools.

This series comes with installed pre- and afterfilter, desiccant fill and a reliable PCB controller with indication lights to monitor the operation. The PCB controller is ready build in and only has to be connected to an electrical power source and compressed air inlet/outlet. Optionally available is a dryer run/stop dry contact as well as a load control system for energy savings.

This series of compact desiccant air dryers will meet the requirements of ISO 8573.1 Class 1.2.1 as a standard. Higher quality classes based on request are available.

How does the AFE C-HDDN Desiccant Dryer work?

Two vessels connected in parallel are required for the continuous operation of drying via the adsorption process. Each vessel is filled with desiccants which act as the drying medium. AFE desiccant dryers use high performance molecular sieve which have a long service life at high input temperatures, resulting in very low pressure dew points.

Stage 1:

The drying of compressed air takes place in vessel A and simultaneously, desorption (re-generation of the desiccant) occurs in vessel B. The desorption process in vessel B occurs in a counter flow direction by using a small flow of dry compressed air channeled from the outlet of vessel A. The mode of operation of pressure change desorption corresponds to almost isothermal desorption through partial pressure drop in the adsorbing component by means of pure purge gas.

Stage 2:

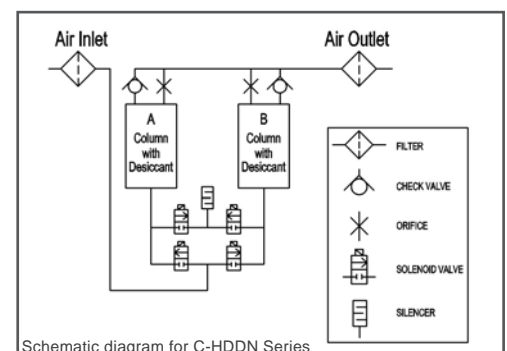
Upon completion of the re-generation cycle, re-pressurization takes place in vessel B until both vessels equalize in pressure. At this stage, the vessels are ready to switch over.

Stage 3:

The air from vessel A will purge out and the drying cycle switches to vessel B. Vessel A will now undergo the desorption cycle to re-generate the desiccants.

The entire process will repeat itself to continuously dry the compressed air.

All AFE dryers are installed with coalescing pre-filters and particle after-filters to provide clean and dry compressed air (CDA).



AFE manufactured desiccant dryers are fully tested and are produced in accordance to the ISO 9001 quality system.



Benefits of the C-HDDN series:

- Point of use application:
Air quality at the point where it's needed.
- Simple installation:
Only air in/air out and power to be connected.
- Compact design:
Specially designed for point of use applications, small footprints.
- Easy maintenance:
Designed for quick parts change with standard components.
- Universal to install:
Can be either floor or wall mounted.



Applications

C-HDDN dryers will benefit users with a demand for clean dry air directly at their application point.



CNC Machines



Laser Machines



Co-ordinate Measurement



Paint Shop



Conveying



Bottling



Laboratorien



Instrumentation



Packing Machines



Processing Equipment

TECHNICAL DATA C-HDDN SERIES

| Model Number | Volume Flow Rate ¹ | | | | Dimensions (mm) | | | | | Conn. | Weight |
|--------------|-------------------------------|---------------------|-------------------|-------|-----------------|-----|-----|-----|-----|--------|--------|
| | l/s | m ³ /min | m ³ /h | cfm | H | W1 | W2 | D1 | D2 | inch | kg |
| C-HDDN002 | 2.30 | 0.14 | 8.20 | 4.80 | 420 | 366 | 245 | 226 | 106 | G 1/4" | 14 |
| C-HDDN004 | 4.40 | 0.26 | 15.50 | 9.11 | 670 | 366 | 245 | 226 | 106 | G 1/4" | 18 |
| C-HDDN007 | 7.05 | 0.42 | 25.40 | 14.95 | 920 | 366 | 245 | 226 | 106 | G 1/4" | 24 |
| C-HDDN010 | 9.75 | 0.58 | 35.10 | 20.65 | 1120 | 366 | 245 | 226 | 106 | G 1/4" | 28 |
| C-HDDN015 | 15.64 | 0.94 | 56.30 | 33.12 | 992 | 550 | 375 | 273 | 160 | G 1/2" | 51 |
| C-HDDN020 | 20.00 | 1.20 | 72.00 | 42.35 | 1242 | 550 | 375 | 273 | 160 | G 1/2" | 51 |
| C-HDDN030 | 30.00 | 1.80 | 108.00 | 63.50 | 1036 | 755 | 495 | 338 | 220 | G 1" | 93 |
| C-HDDN045 | 45.00 | 2.70 | 162.00 | 95.30 | 1386 | 755 | 495 | 338 | 220 | G 1" | 114 |

1. Based on -40°C pressure dew point with inlet conditions of 7 barg and 35 °C
Systems for lower pressure dew points are available upon request.

TECHNICAL DATA C-HDDN SERIES

| Pressure bar g | Inlet Temperature C° | | | | | |
|-------------------|----------------------|------|------|------|------|------|
| | 25 | 30 | 35 | 40 | 45 | 50 |
| 4 | 0.66 | 0.64 | 0.62 | 0.59 | 0.55 | 0.50 |
| 5 | 0.80 | 0.77 | 0.75 | 0.71 | 0.67 | 0.63 |
| 6 | 0.94 | 0.90 | 0.87 | 0.84 | 0.79 | 0.76 |
| 7 | 1.07 | 1.03 | 1.00 | 0.96 | 0.92 | 0.87 |
| 8 | 1.16 | 1.14 | 1.11 | 1.08 | 1.04 | 1.00 |
| 9 | 1.23 | 1.21 | 1.18 | 1.14 | 1.10 | 1.07 |
| 10 | 1.32 | 1.30 | 1.27 | 1.24 | 1.20 | 1.16 |

| Example | |
|--------------------|------------------------|
| Flow rate | 16.9 m ³ /h |
| Pressure | 6 bar |
| Inlet temperature | 40° |
| Pressure dew point | -40° |

Dryer capacity = $16,9/0,84 = 20.12 \text{ m}^3$
Therefore, selected dryer model:
C-HDDN 007

